

Hookup information for DC motor
Johnson DC SS “Mystery motor” purchased from Reuseum.
SWR—7 Aug 2012

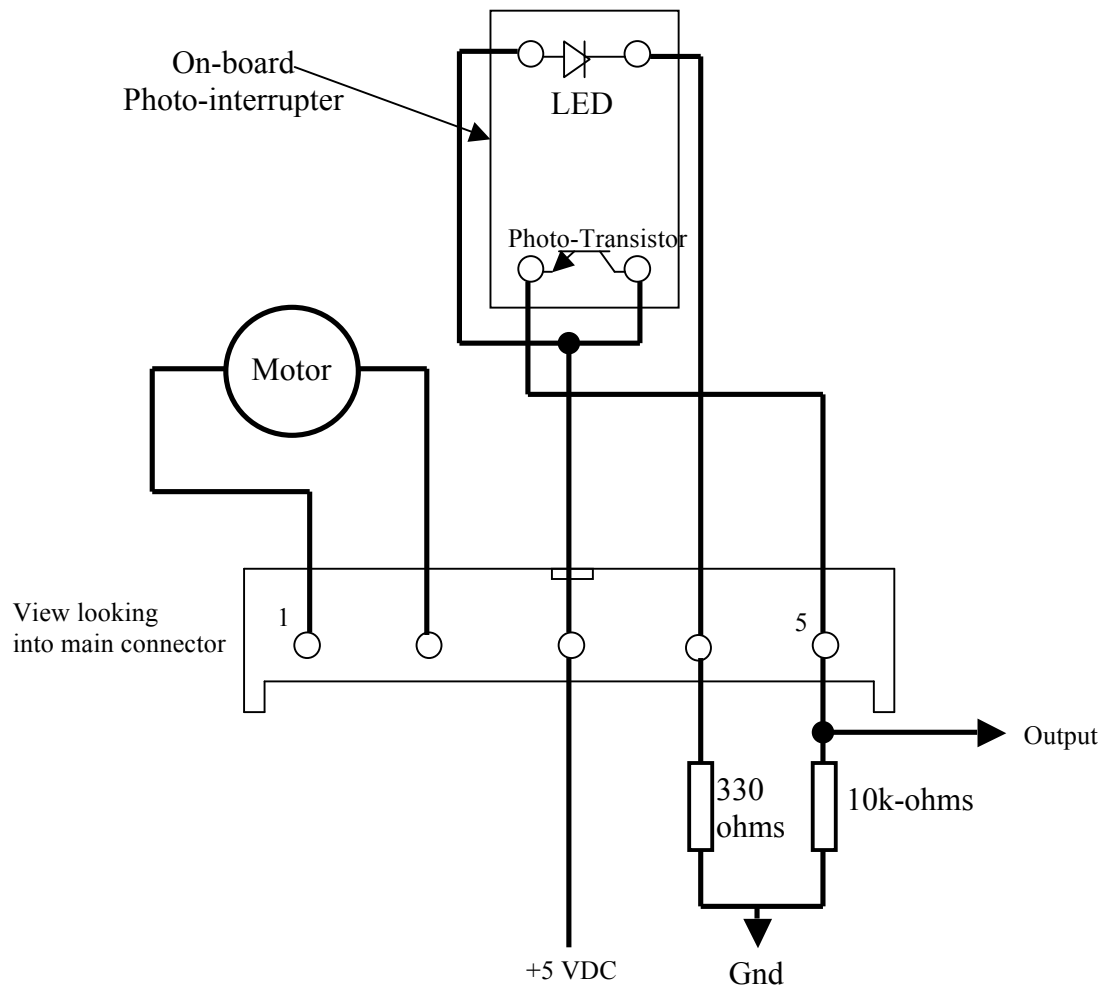


Photo-interrupter power and output:

Connect 5 volts DC to pin 3.

Connect a 330 ohm resistor to pin 4 and a 10k-ohm resistor to pin 5. Then connect the other end of both resistors to ground as per the diagram.

Photo-interrupter output is a rough 0/5 volt sinusoid at pin 5. There is only this single output, so you can get rotational speed but not direction.

Motor input: At 12 VDC input to pins 1 and 2 the motor draws 80-100 mA under no-load.